

THECNICAL FILE



METAL PEDESTAL

Material: recyclable metal.

Metal pedestal accessories.

Side plug.

Selective opening of drawers.

Lock with 2 keys (fixed key + folding key, centralized lock, removable cylinder, master key available).

Rotating wheels \varnothing 37 mm mounted.

5th standard anti-slip wheel in file drawer.

Powdered varnish after hot phosphodisgrazing and fixing in ovens at 180 °C. Zero-emission stainless varnishes.

Thickness of the varnish layer: 80 microns.

Customizable colors on request in case of availability and with an additional price.

Case width 420 mm.

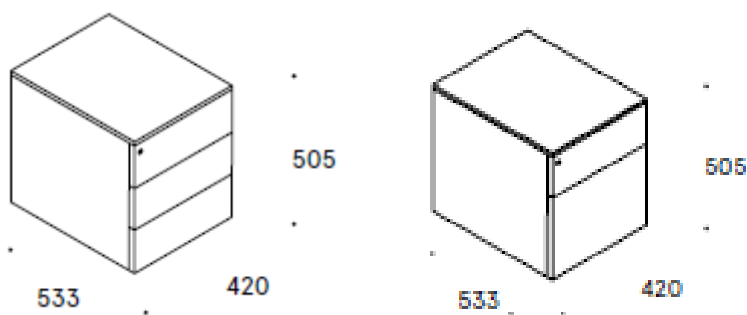
Roller slides for drawers.

The total extraction ball slides into the file drawers.

Useful drawer dimensions: L 330, P 483, H 105 mm.

Useful drawer-binder dimensions: L 325, P 470, H 270 mm.

Delivered assembled.



IMAGES COLLECTION

