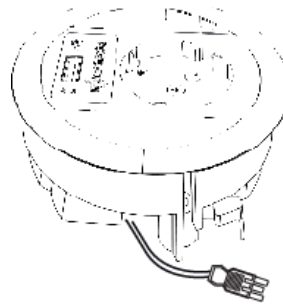
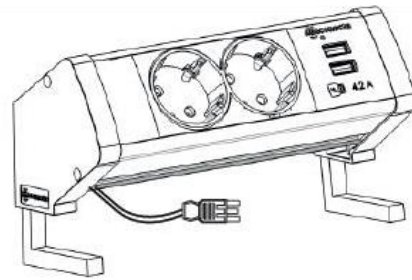
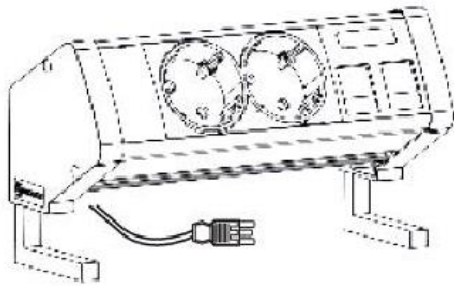


ELECTRIFICATION



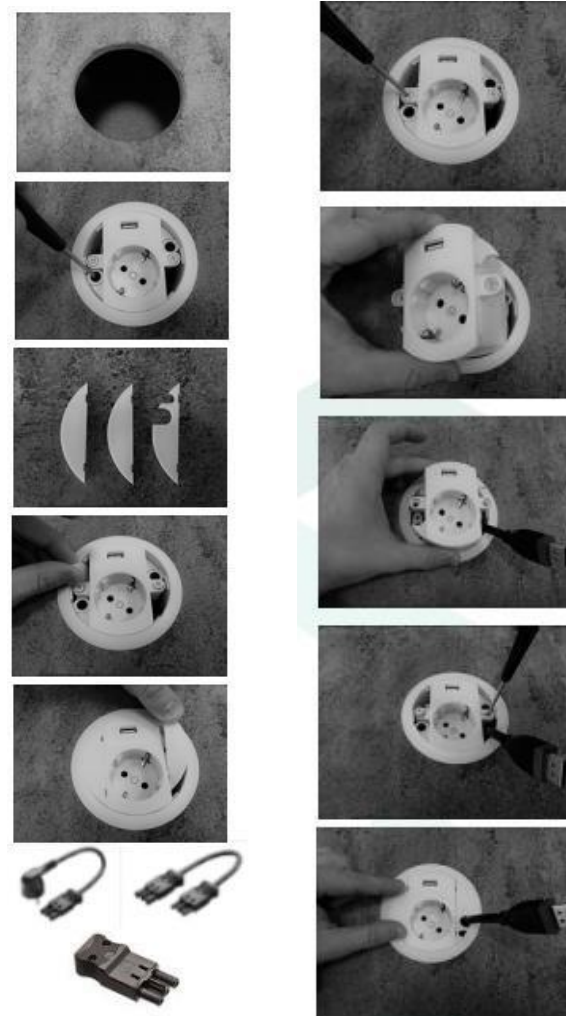
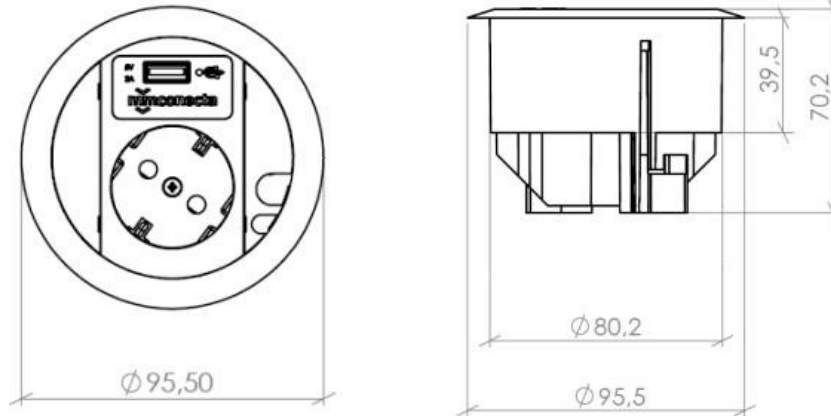
- PROGRAM



- Over mini 1 schuko + 1 USB

White finish

French schuko fast connection point, USB 2.1A charger and white cable output

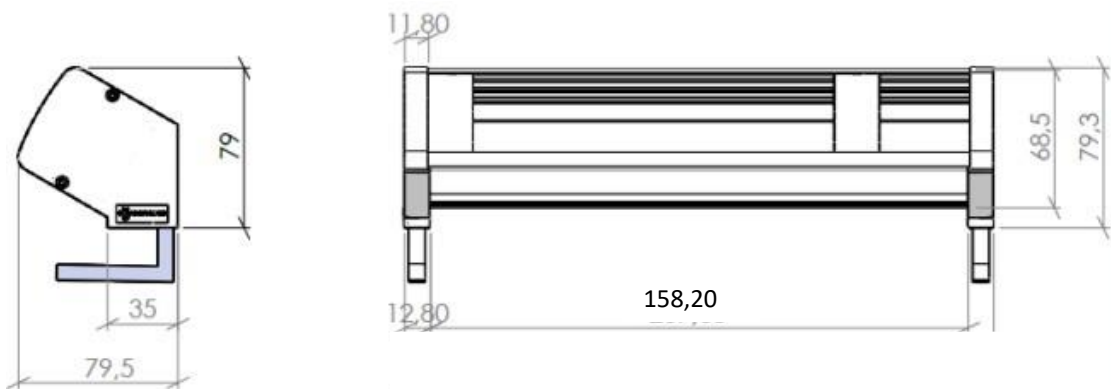


Electrical current connection cables or extension not included.

- Over mini 2 schukos + 2RJ45/2USB

Available finishes: white u white/aluminum

Easyblock OVER MINI with CR input, two schukos, 45 × 45 hole (with USB or RJ45) and table anchor



Electrical current connection cables or extension not included.